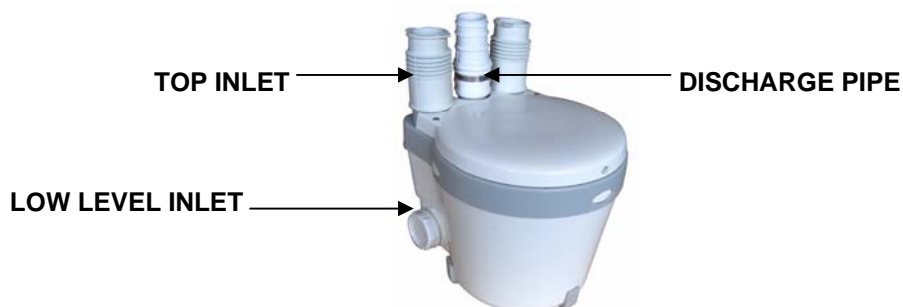


# VIDMATIC VD110S

## Powerful Waste Water Pumping System SPECIFICATION SHEET and INSTALLATION GUIDE



**The unit can pump 5m vertically or 50m horizontally or a combination of the two.**

The dimensions are L = 260mm D = 228mm and H = 220mm.

<b>YES</b>
<b>DOMESTIC only</b>
<ul style="list-style-type: none"><li>• Bathroom Basin</li><li>• Shower</li><li>• Dishwasher</li><li>• Washing Machine</li><li>• Utility Sink</li><li>• Kitchen Sink (<u>without waste disposal</u>)</li></ul>

<b>THIS UNIT MUST ONLY USE <u>32mm</u> DISCHARGE PIPEWORK!</b>
It will NOT work with <u>22mm</u> pipework

<b>NO</b>
<b>NOT COMMERCIAL</b>
<ul style="list-style-type: none"><li>• Kitchen Sink</li><li>• Utility Sink</li><li>• Dishwasher</li><li>• Washing Machine</li><li>• Glass Washer</li><li>• Pot Washer</li><li>• or ANY Commercial Situation</li></ul>

**NOTE: This unit should not be used with SINK WASTE DISPOSAL UNITS, nor used to dispose of CAUSTIC ACID OR SOLVENT WASTE ( i.e. no chemicals).**

**\*\*\*IMPORTANT NOTE\*\*\***

It is advised that only one appliance evacuates at one time

**FITTING KIT:**

- |   |                            |
|---|----------------------------|
| 2 x Discharge Valves (see instructions) | 2 x Inlet Rubber Couplings |
| 2 x Blanking Caps                       | 2 x Fixing Brackets        |
| 1 x 25/40mm Hose Clip                   | 1 x 32/50mm Hose Clip      |

## INSTALLATION INSTRUCTIONS

### Installing the inlet pipework

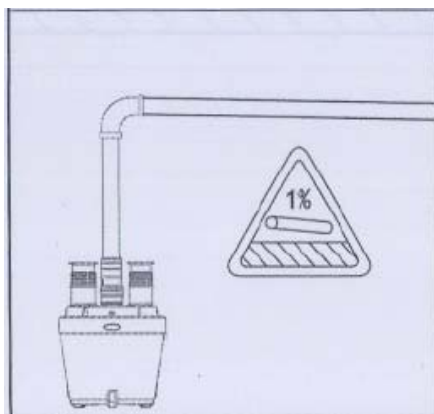
1. Ensure that the waste water can drain freely into the unit with a gravity fall of 1 in 40 (i.e pipework to fall into unit at 25mm in 1metre).
2. Two flexible rubber couplings are provided for two of the possible 4 waste water inlets. Two are at high level (on lid) and two at low level (on side). The rubber couplings should be attached to the unit with plastic 'Herbie' clips (not provided). Care should be taken if using metal clips.
3. To use the top inlets cut off the sealed plastic cap, remove rough edges and use the flexible rubber couplings provided.
4. Two screwed blanking off caps are provided if one or both of the side low level inlets to the unit are not required.

### Installing the discharge pipework

**\*\*\*IMPORTANT NOTE\*\*\***

**THE STRAIGHT SOFT RUBBER FLEXIBLE COUPLINGS PROVIDED FOR THE INLETS MUST NOT BE USED FOR THE DISCHARGE CONNECTION. THEY ARE NOT DESIGNED TO TAKE PRESSURE.**

1. The discharge pipework used **MUST** be 32mm. This should be solvent weld rigid plastic or copper with BBA approved or BBS Kite marked. *If bends are required in the discharge run, always use slow radius bends.*
2. All vertical lifts **MUST** begin within the first 300mm of the discharge point on top of the unit and **MUST** precede any horizontal run. **NO SUBSEQUENT VERTICAL LIFTS MAY BE MADE!**
3. After the vertical lift has been achieved, the horizontal run must have a 1 in 100 fall and **cannot rise again. Horizontal piperuns must not run LEVEL OR UP HILL.** If no vertical lift is required then the pipe must have a fall of 1 in 100.
4. Discharge from the unit is on the top. Two rubber discharge NRV's are provided in the fitting kit. One is for a straight vertical discharge. The other is for a discharge run where there is a horizontal run first. Attached this valve to the unit using the metal hose clips provided.



## Electrical Connection

### \*\*\*IMPORTANT NOTE\*\*\*

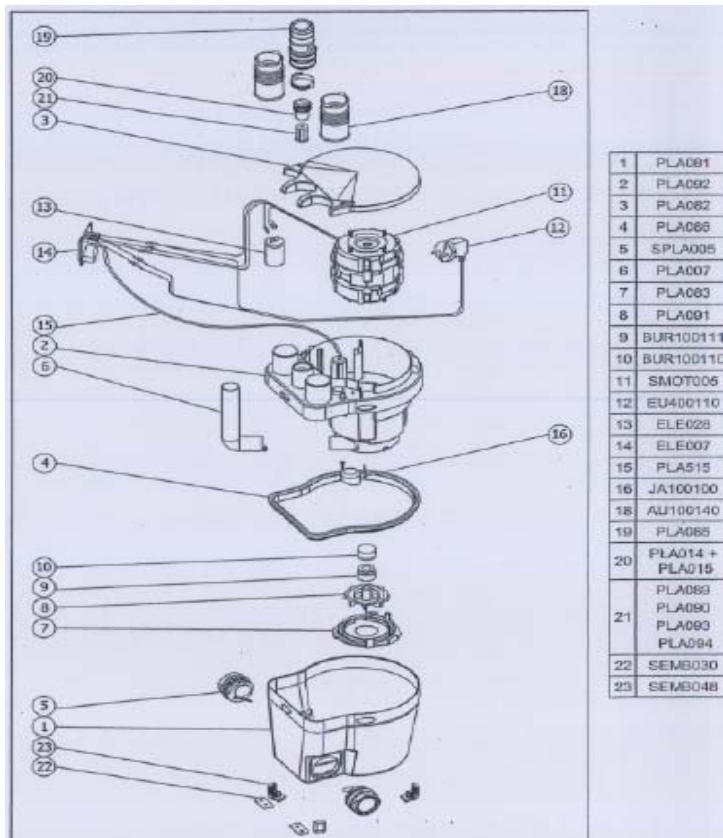
***The electrical installation on this unit should be carried out by a qualified person and confirm to any official requirements for electrical installation.***

1. The VIDMATIC VD110S requires a 220/240 volt single phase AC/50Hz supply.
2. **DO NOT** connect to a conventional plug and socket but wire it into a 5 amp unswitched fused spur.
3. This unit has an earth wire. The wires in the mains lead are wired in accordance with the following code - **Brown: = Live: Blue: = Neutral Green/Yellow: = Earth.**
4. All wiring should conform to the rules of the Institution of Electrical Engineers and BS57671 1992 requirements
5. All work on this unit should only be carried out by qualified Saniflo Service Engineers.
6. Cleaning the tank: As with other drainage systems, there may be a build up of grease/fat in the tank. It is recommended that the tank be cleaned out periodically depending on level of usage.  
**HOT WATER:** This unit is designed to accept water up to 90°C for 2 minutes, i.e. evacuation of the hot water cycle of a **DOMESTIC** washing machine. It will **NOT** handle **BOILING** water.

**GUARANTEE** on the VIDMATIC VD110S unit is 2 years - provided the unit has been installed and used correctly.

For any further pre-installation technical advice - please call **0208 842 0033**.

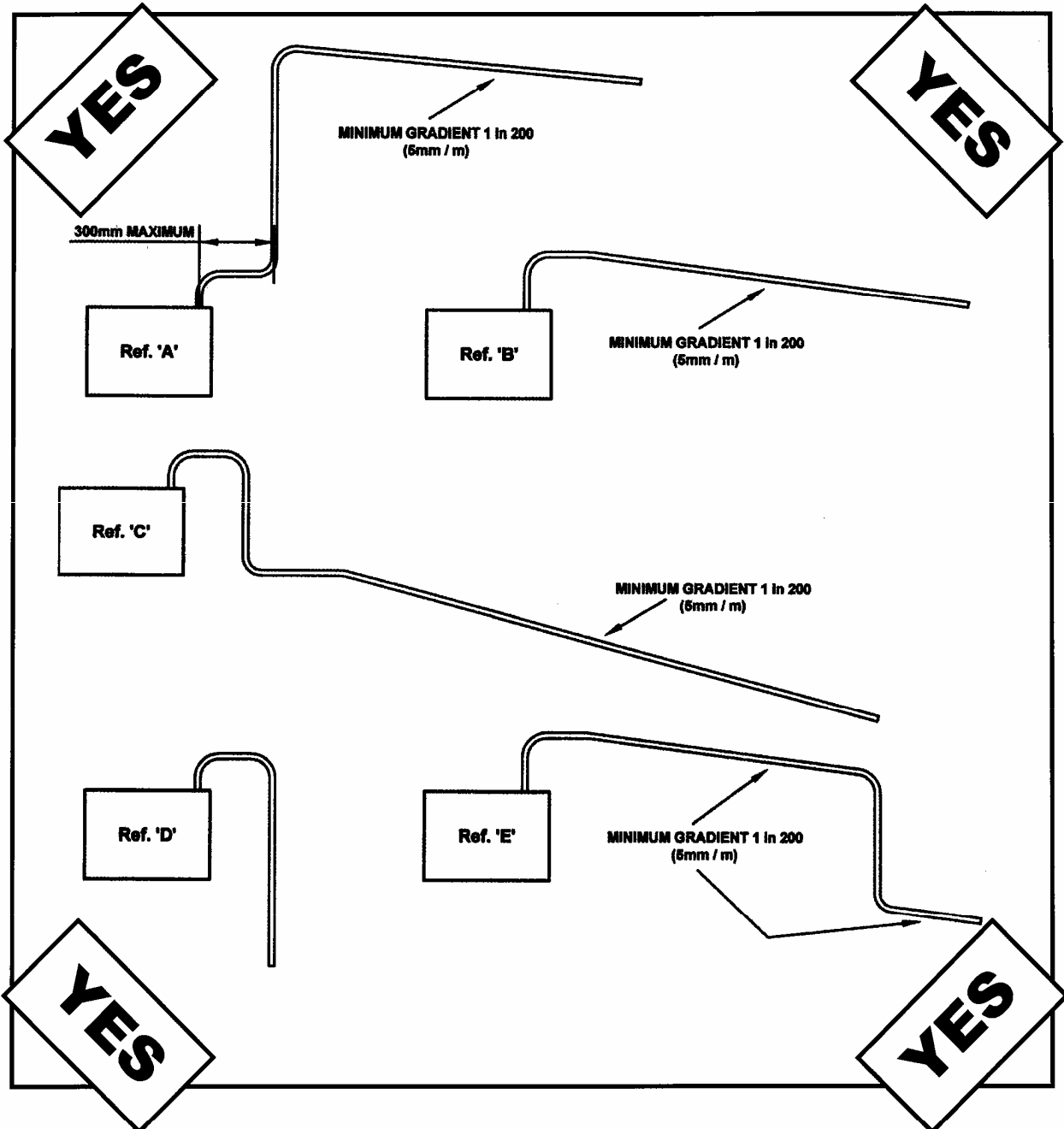
**For Warranty or after Warranty service work please call a Saniflo Engineer on 0845 765 0011**



# SANIFLO RANGE OF PRODUCTS

## ***YES it CAN BE DONE Details***

### ***See note \* below***



**\* IMPORTANT EXCEPTION: SANIFLO X2 (Basic Saniflo)**  
This can ONLY do B, C, D NOT A, E  
i.e will ONLY pump HORIZONTALLY with a  
FALL GRADIENT of 1 - 200 (5mm in 1 metre)

# SANIFLO RANGE OF PRODUCTS

## *NO it CAN'T BE DONE Details*

